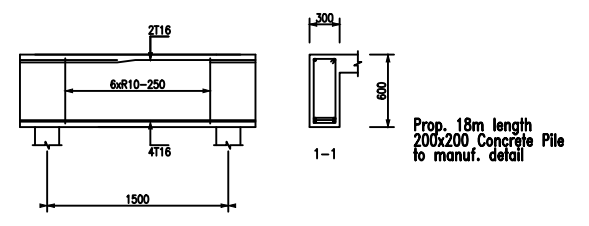
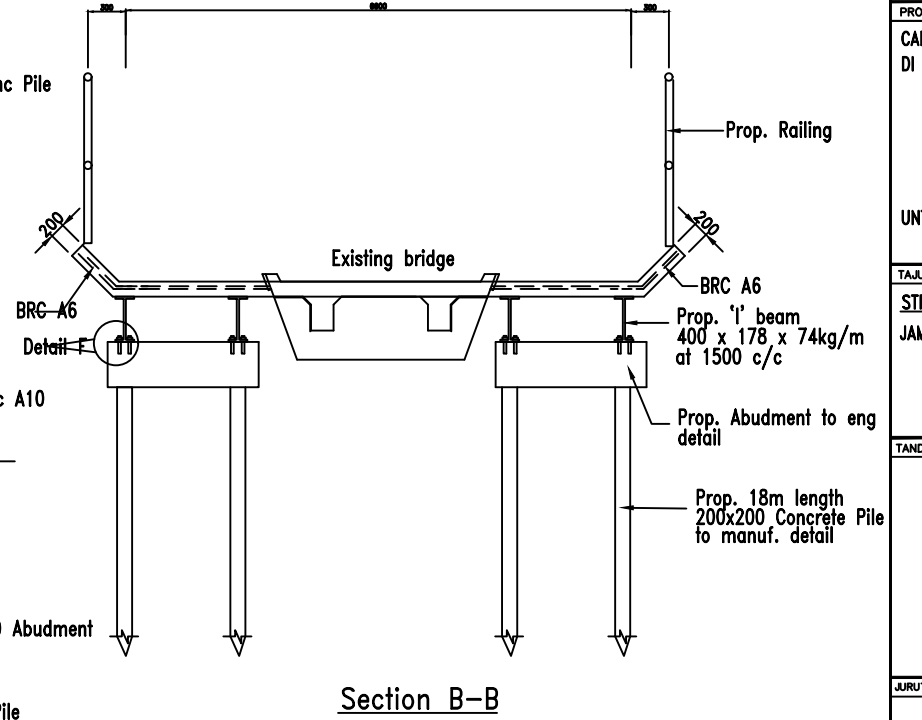
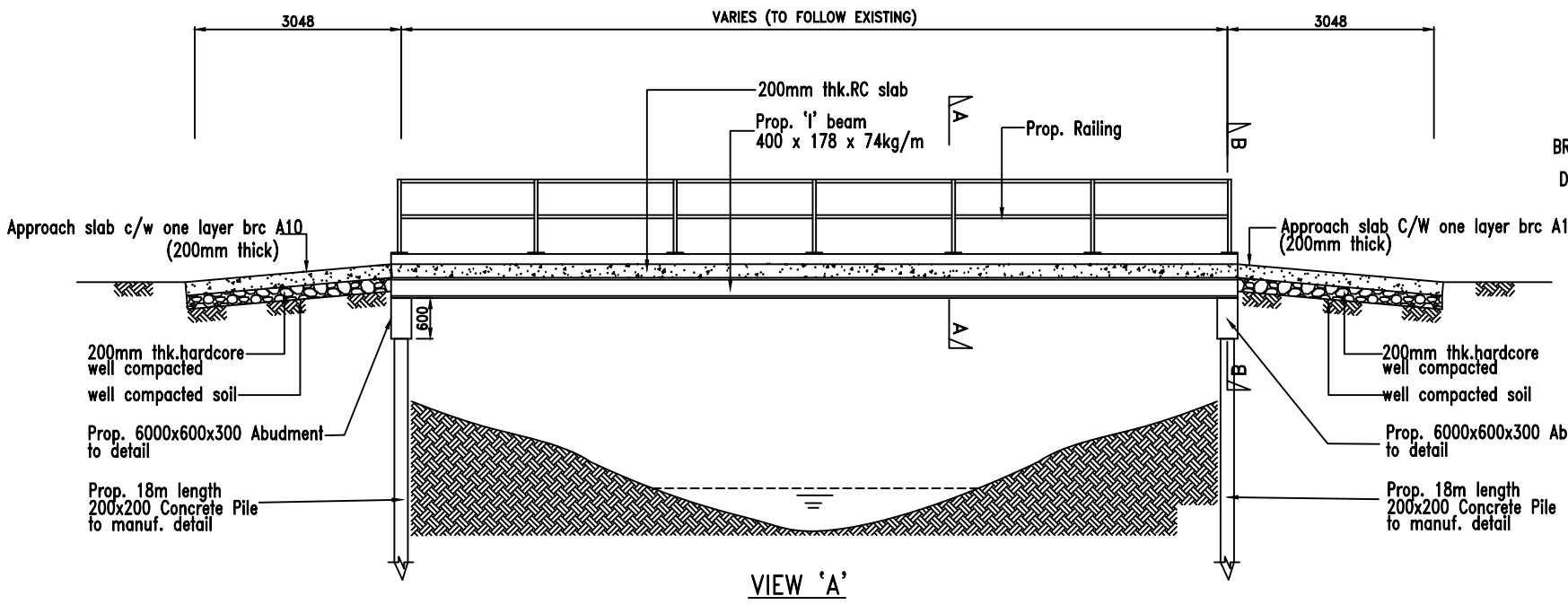


- NOTE.
- THIS DRAWING TO BE READ IN CONJUNCTION WITH THE ARCHITECTURAL DRAWING AND SPECIFICATION, ANY DISCREPANCIES TO BE CLARIFIED WITH ENGINEER BEFORE FURTHER PROCEED OF WORKS.
 - UNLESS OTHERWISE SPECIFIED CONCRETE USED SHALL BE GRADE 25 (1:1.5:3 MIX) WITH MINIMUM STRENGTH OF 25 N/mm² AT 28 DAYS WORK CUBE OR AS SPECIFIED.
 - CONCRETE COVER TO REINFORCEMENT :
12 mm TO SLAB
25mm TO COLUMN AND BEAM
38mm TO GROUND BEAM AND STUMP
50mm TO FOOTING
 - LAPS IN REINFORCEMENTS :
42 DIA. IN TENSION MILD STEEL BARS
50 DIA. IN TENSION HIGH TENSILE BARS
30 DIA. IN COMPRESSION MILD STEEL BARS
30 DIA. IN COMPRESSION HIGH TENSILE BARS
 - ALL STEEL REINFORCEMENT TO B.S 4449 AND DIMENSION TO B.S 4466. ALL REINFORCEMENT SIZE ARE IN mm.
 - MILD STEEL BARS IS DENOTED BY 'R' OR 'M.S.' HIGH TENSILE BARS IS DENOTED BY 'Y' OR 'H.T.S'
 - WHERE THERE IS MORE THAN ONE LAYER OF REINFORCEMENT BARS IN BEAMS, 25MM DIA. SPACER BARS MUST BE PROVIDED AT 1.5 M C/C.
 - GROUND TO RECEIVE 50mm THK. LEAN CONCRETE BLINDING BEFORE REINFORCEMENT IS LAID.
 - NOMINAL R.C LINTOL TO OPENING AND STIFFENER TO BRICKWALL WHERE NOT SHOWN MUST BE ADDED TO ENGINEER'S APPROVAL.



PROJEK / PROJECT

CADANGAN MEMBINA SEBUAH JAMBATAN DI DAERAH SPU, PULAU PINANG

UNTUK TETUAN : JABATAN PENGAIRAN & SALIRAN DAERAH SPU, PULAU PINANG

TAJUK / TITLE

STRUKTUR JAMBATAN

TANDATANGAN PEMILIK BANGUNAN / TUAN TANAH

JURUTERA AWAM & STRUKTUR / CIVIL & STRUCTURAL ENGINEERS

TANDATANGAN JURUTERA / ENGINEER'S SIGNATURE

I hereby certify that these reinforced concrete details have been designed by me in accordance with British Standard Code of Practice CP 114 / CP 110 / BS 8110 and that I take full responsibility for the design and supervision of works.

DESIGNED BY	DN	DESIGN CHK'D BY	Ir. ADWAR
DRAWN BY	IZD	DWG CHK'D BY	Ir. ADWAR
SCALE	1:50	DATE	JUN.2021